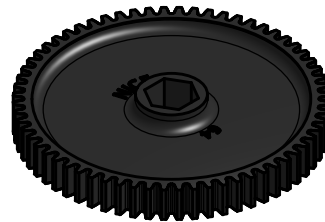
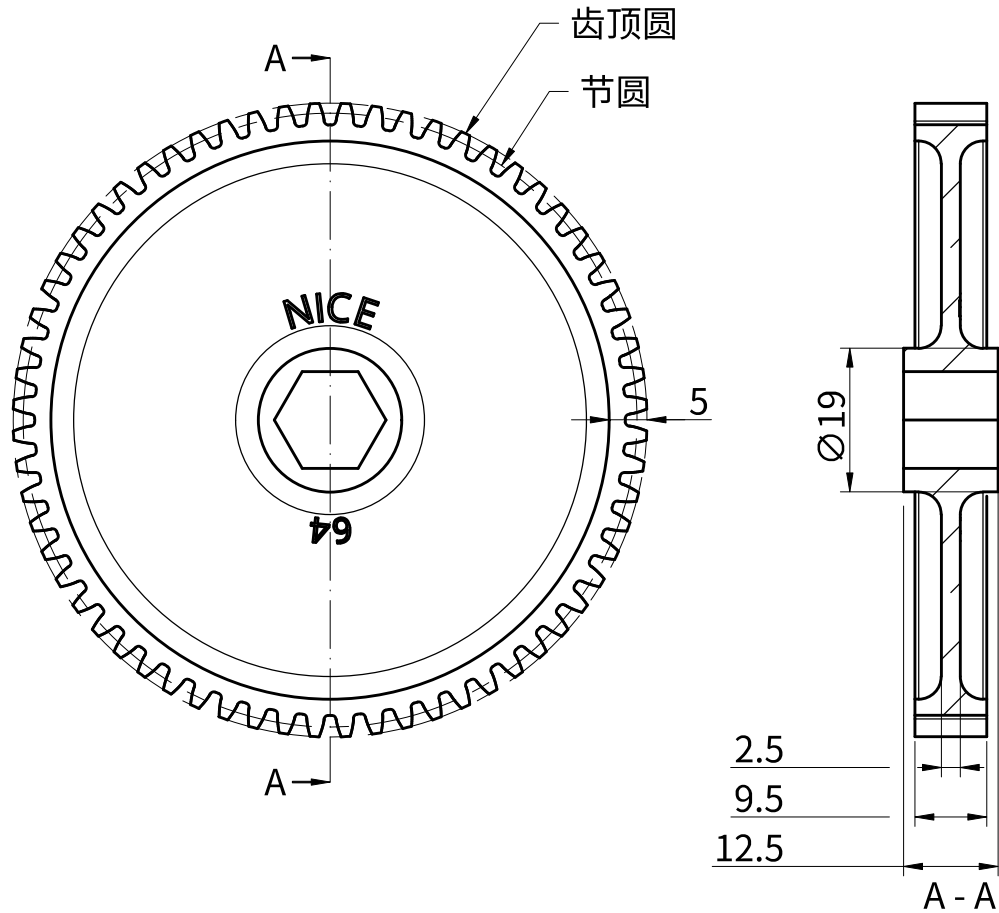


SKU	齿数	节圆直径	齿顶圆直径
NICE-02-01-011	40	50.80	53.34
NICE-02-01-012	42	53.34	55.88
NICE-02-01-013	44	55.88	58.42
NICE-02-01-014	46	58.42	60.96
NICE-02-01-015	48	60.96	63.50
NICE-02-01-016	50	63.50	66.04
NICE-02-01-017	52	66.04	68.58
NICE-02-01-018	54	68.58	71.12
NICE-02-01-019	56	71.12	73.66
NICE-02-01-020	58	73.66	76.20
NICE-02-01-021	60	76.20	78.74
NICE-02-01-022	62	78.74	81.28
NICE-02-01-023	64	81.28	83.82
NICE-02-01-024	66	83.82	86.36
NICE-02-01-025	68	86.36	88.90
NICE-02-01-026	70	88.90	91.44
NICE-02-01-027	72	91.44	93.98



NICE

零件名称

轻量化铝制齿轮-20DP 1/2" HEX

图纸代号

NICE-D-02-01-02

发布日期

2025年12月17日

单位: mm

第1页/共1页